

DA28

Programmable Signal Distribution
Amplifier



DESCRIPTION

The DA-28 distribution amplifier is a simple device aimed to buffer either 1 input to 8 outputs or 2 inputs to 4 outputs each, with adjustable gain. It is directly derived from the DI-824 stage box widely used at Expo'98 in Lisbon.

APPLICATIONS

- In Broadcast/Recording studios
- In Industrial Sound systems

FEATURES

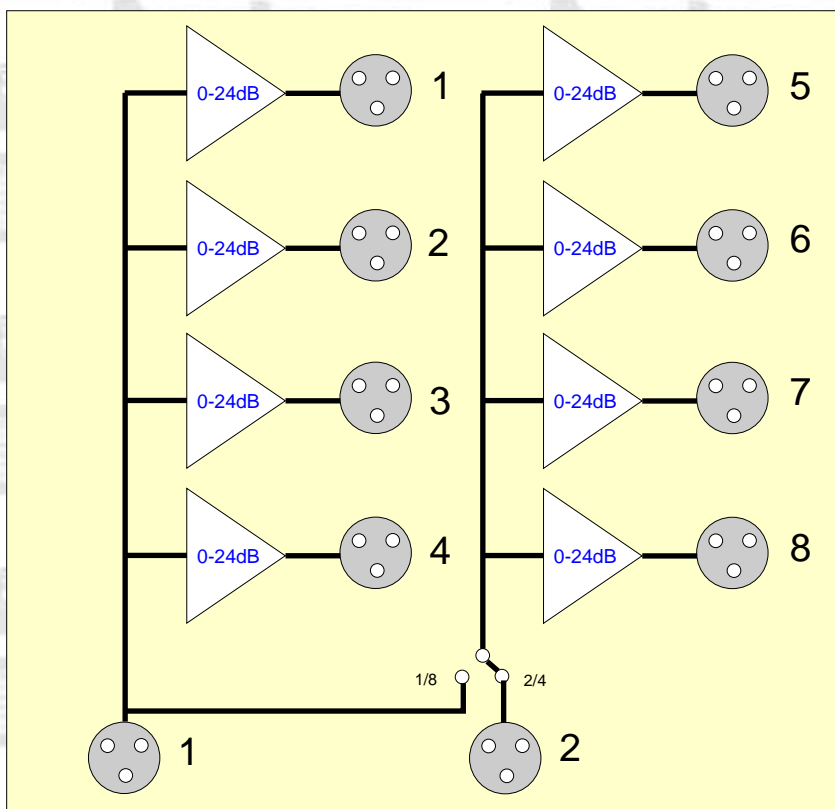
- 1U rack-mounted with gain/routing controls on the front panel
- All I/O on XLR
- Fully RF filtered
- Microprocessor-driven
- Active state monitored by means of a LED panel
- Configuration kept in EEPROM non-volatile memory
- May be steered remotely from a PC (optional, not included in the basic unit)
- Fully EEC 55103 compliant according to 89/336/EMC

SPECIFICATIONS

Inputs	XLR
Input Impedance	100k Ω balanced
Outputs	XLR
Output Impedance	100 Ω balanced
Frequency response	20-20kHz \pm 1dB
Crosstalk:	>80dB 20-20kHz
Input clipping point:	+22dBu
THD+N	<0.04% 20-20kHz +22dBu
Noise	<-90dBu 22-22kHz unw.
CMRR	>55dB 20-20kHz
Controls:	Input gain 0-24dB in 6dB steps, \pm 0.5dB
Mode	1-8 or split 2-4
Physical	19" 1U 200mm depth
Weight	5 Kg
Power supply	115/230V @ 50VA
Operating temperature	0-40 $^{\circ}$ C

DA28 V1.21 2003-11-10

Specifications may change without prior notice
Copyright © by Acutron 2001-2003 all rights reserved.
Larsen® is a trademark of Acutron Electroacustica



DISTRIBUTOR

ABC-Abrunheira Business Center
Edifícios 10-11 R. das Maçarocas
Abrunheira 2710-056 Sintra
Tel +351 219152040
Fax +351219154079
web: www.acutron.net
mail: info@autron.net

